

Electrical Metallic Tubing (EMT) Fittings

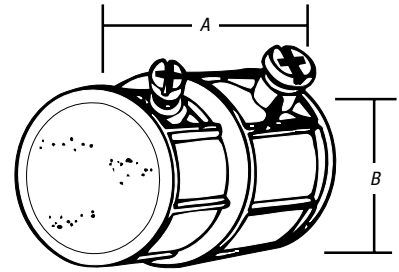
Combination Set-Screw Couplings

- Concrete tight when taped



CAT. NO.	CONDUIT SIZE (IN.)	DIMENSIONS (IN.)		STD. CTN.
		A	B	
Die-Cast Zinc Flexible Metal Conduit to EMT				
TX-220	3/8 Flex to 1/2 EMT	1 1/8	1/2	500
TX-221	1/2 Flex to 1/2 EMT	1 13/16	1 1/32	250
TX-222	3/4 Flex to 3/4 EMT	1 31/32	1 1/32	150
TX-223	1 Flex to NMT	2 1/4	1 1/8	150

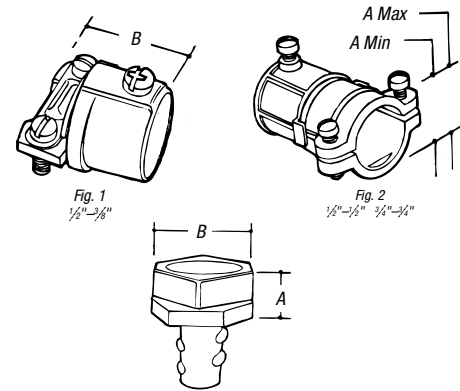
UL File No. E-23018



Combination Couplings

CAT. NO.	TRADE FIG.	SIZE (IN.)	DIMENSIONS (IN.)			STD. CTN.
			A (MIN.)	A (MAX.)	B	
EMT to Flex Set-Screw Type — Die-Cast Zinc						
TX210	1	1/2-3/8	.15	.61	1.16	250
TX211	2	1/2-1/2	.60	1.00	1.71	250
TX-212	2	3/4-3/4	.78	1.20	1.93	200

CAT. NO.	TRADE SIZE (IN.)	DIMENSIONS (IN.)		STD. CTN.
		A	B	
EMT to Flex Compression to Screw-In Type — Die-Cast Zinc				
TX201	1/2	.84	1.10	500
TX-202	3/4	.95	1.30	250

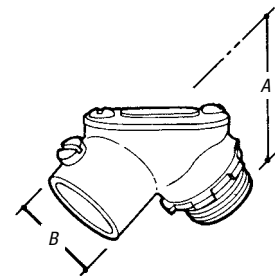


EMT to Box Set-Screw Type — Die-Cast Zinc



CAT. NO.	CONDUIT SIZE (IN.)	DIMENSIONS (IN.)		STD. CTN.
		A	B	
EMT to Flex Compression to Screw-In Type — Die-Cast Zinc				
TL-211	1/2	1.31	.93	100
TL-212	3/4	1.47	1.22	50

UL File No. E-23018.



EMT to Box Set-Screw Type — Die-Cast Zinc



CAT. NO.	CONDUIT SIZE (IN.)	DIMENSIONS (IN.)		STD. CTN.
		A	B	
EMT to Flex Compression to Screw-In Type — Die-Cast Zinc				
TL 201	1/2	1.31	1.10	100
TL-202-SC	3/4	1.60	1.24	50
TL-203	1	1.94	1.59	25
TL-204	1 1/4	2.26	1.97	25

UL File No. E-23018.

